




# CSS – OD / Commercial Storage Solution


Quick Installation Guide


for Europe

Draft 23-07-2024


## Legend


 **WARNING!** This symbol denotes a hazard. It calls attention to a procedure that if not correctly performed or adhered to could result in injury or loss of life. Do not proceed beyond a warning note until the indicated conditions are fully understood and met.

 **CAUTION!** Denotes a hazard. It calls attention to a procedure that, if not correctly performed or adhered to, could result in damage or destruction of the product. Do not proceed beyond a caution sign until the indicated conditions are fully understood and met.


 This symbol indicates that this is the Protective Earth (PE) terminal that must be firmly grounded to ensure the safety of operators.

## Safety Instructions


 **WARNING: RISK OF ELECTRIC SHOCK**  
DO NOT touch the wires, contacts, terminals, or any conductors connected to the grid circuit inside the equipment.  
Failure to follow safety instructions could result in severe injury or death from electric shock.


 **WARNING: LETHAL HIGH VOLTAGES exist inside the product.**


- Note and abide by all warning signs on the product.
- Observe the safety precautions listed in this manual and other related documents.

 **WARNING: Damaged Equipment Hazards**


- Damaged equipment or system failure may cause electric shock or fire!
- Perform an initial visual inspection of the equipment for damage or other hazards before operation.
- Check whether other external devices or circuit connections are secure.
- Confirm that this equipment is in a safe state before operating it.

 **WARNING:** This equipment must be installed by **licensed electrician** and qualified personnel only. The installation and wiring of this equipment must comply with all applicable national, state/provincial, local electrical codes and standards. Attempting installation by unqualified individuals could result in unsafe operation, code violations, personal injury/loss of life, or damage to the equipment.


 **WARNING: Battery Protection**  
DC HIGH VOLTAGE! ELECTRIC SHOCK HAZARD!  
The battery in the system generates a high voltage when connected. Accidental contact can result in electric shock or life-threatening injuries.

 **WARNING: Ground Fault Protection**


- When a ground fault occurs in the integrated PCS, there may be fatal high voltage in parts that are not originally charged. DANGEROUS IF ACCIDENTALLY TOUCHED!
- Before operation, ensure there is no ground fault in the system, and take relevant protective measures.

 **WARNING: Live Line Measurement**

- There are high voltages in the equipment in the integrated PCS, and accidental touch may cause fatal electric shock hazards.
- During live measurement, take appropriate protection, such as wearing insulating gloves.
- There must be an accompanying person to ensure personal safety.

 **WARNING: Improper parameter settings**

- Improper parameter settings may affect the normal function realization of internal devices.
- Only authorized professionals can set the parameters.

 **WARNING: Regulatory Compliance**  
The installation and various operations of the integrated PCS must comply with the relevant standards and regulations of the country/region where the project is located

## Personal Protective Equipment



Safety Rubber Shoes



Helmet



Rubber Gloves




Safety Clothing



Goggles

## Battery Cabinet 102.4 kWh & Battery Inverter 50 kW

 **WARNING!** Use only insulated and protected tools



Torque wrench with 7mm, 10mm, 17mm, 18mm, 19mm sockets



Wire Cutter



Crimping tool



Phillips screwdriver  $\varnothing$ 6 mm, L= 230 mm



Heat gun



Multimeter



Cable Stripper



Wire Stripper



Drill



Box Cutter



Pipe Cutter



Ladder



Rubber Hammer



Flat Head Screwdriver



Flat Head Screwdriver for Terminal Block Screws

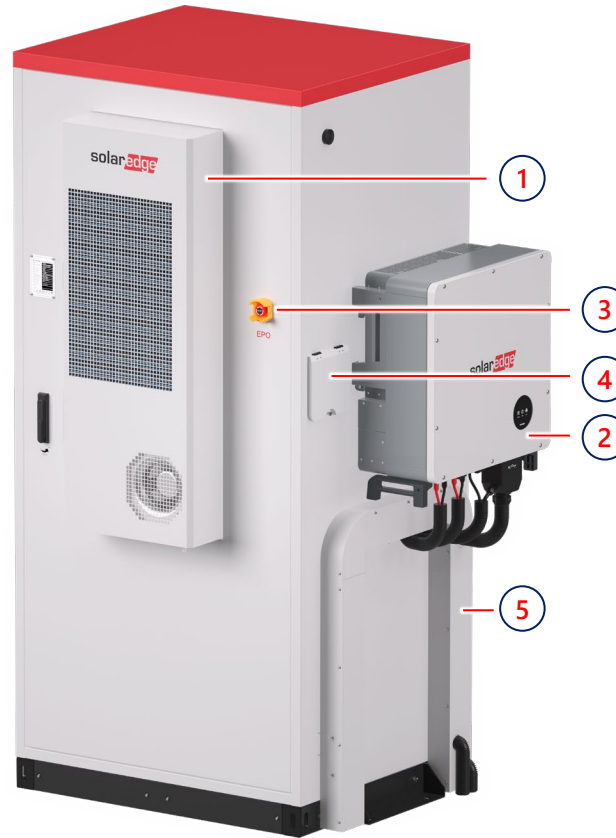
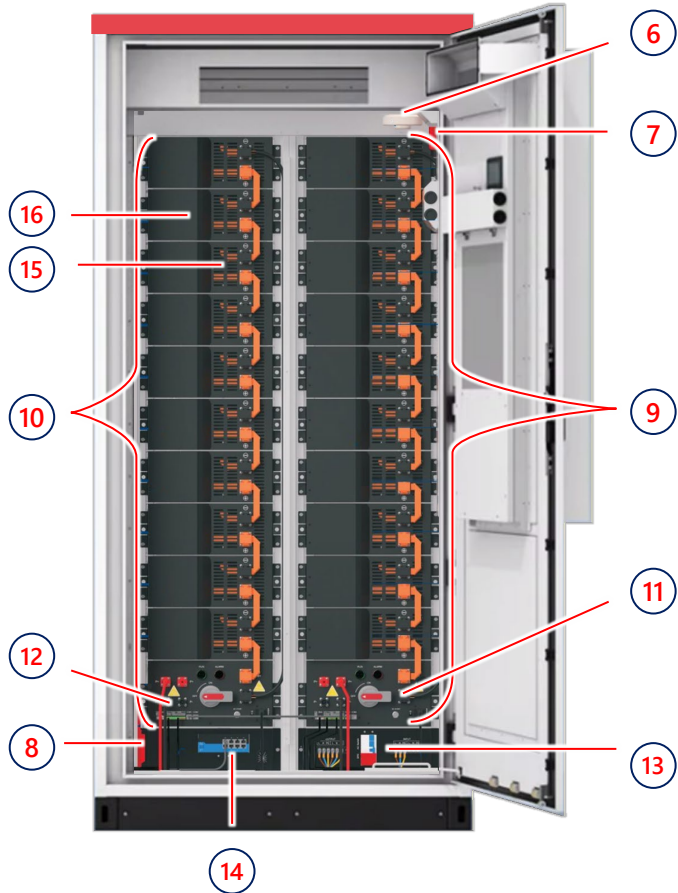


Adjustable Wrench



Open-end torque wrench

# General Description of Battery Cabinet & Battery Inverter



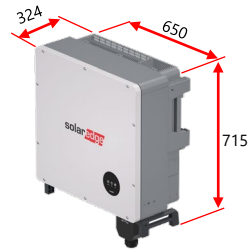
1. Battery Cabinet HVAC
2. Battery Inverter 50 kW
3. Emergency Power Off (EPO) switch
4. CSS Local Interface
5. Wiring Duct
6. Photoelectric Smoke Detector
7. Aerosol Fire Extinguisher 1
8. Aerosol Fire Extinguisher 2
9. Cluster 1 (10 EMs + CMU1)
10. Cluster 2 (10 EMs + CMU2)
11. Cluster Management Unit 1
12. Cluster Management Unit 2
13. AC Interface Box
14. Battery Cabinet Management Unit
15. Energy Module (x20)
16. Energy Module Management Unit

**Battery Cabinet  
102.4 kWh**



1433 KG

**Battery Inverter  
50 kW**



68 KG

**Battery Inverter 50 kW  
Battery Cabinet 102.4 kWh**  
\*Assembled Dimensions

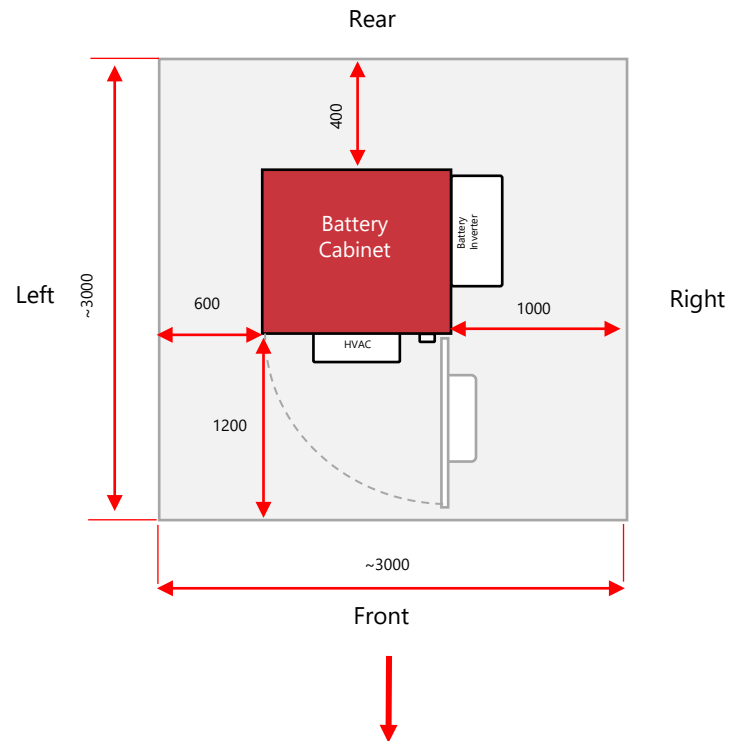


1501 KG

All dimensions are in [mm]

## Default Layout & Clearance Distances (Top View)

All dimensions are in [mm]





Battery Cabinet + Battery Inverter	
Direction	Distance [mm]
Front	1200
Rear	400
Right	1000
Left	600

**NOTE!**  
 Installers are hereby notified that local codes and regulations could extend the required clearances beyond what is specified in this manual. Before proceeding with installation, consult with relevant authorities to ensure compliance with local regulations concerning clearance distances.


## CAUTIONS and Requirements of Installation Environment

1. When the equipment is running, do not cover the vents or heat dissipation system to prevent fire due to high temperature.
2. The equipment should be installed in an area away from liquids; it is forbidden to install it under water pipes, air outlets and other places that are prone to condensation, or under places that are prone to water leakage, such as air-conditioning outlets, vents, and outlet windows in the machine room, to prevent liquids from entering the inside of the equipment and causing malfunction or short circuit.
3. Do not place the equipment in an environment with flammable or explosive gas or smoke, and do not perform any operations in such environment.
4. The equipment should be installed away from desert or sandy environment.

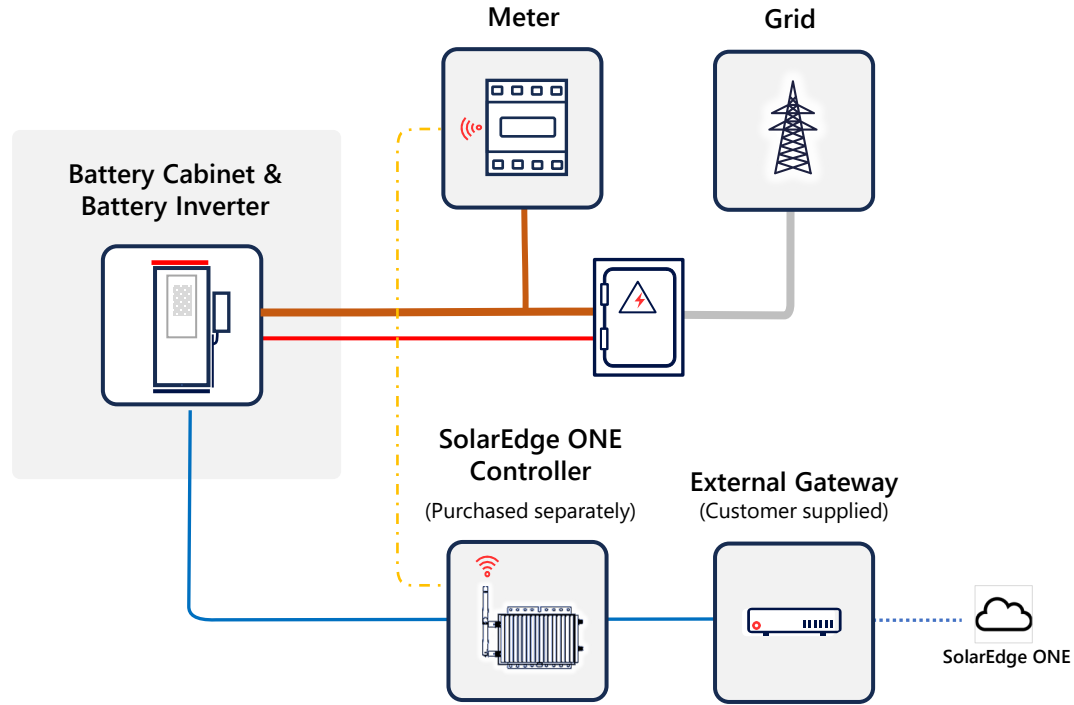
**CAUTION!** For indoor installations ventilated room is required 


**CAUTION!** CSS – OD solution must be installed: >2km from the sea, when installed in an outdoor location, or >1km when installed in an indoor locations. 


**CAUTION!** When Installed in indoor locations consider heat dissipation values of all installed devices when choosing appropriate room / space for their installation

**NOTE!** Battery Cabinet & Battery Inverter max noise is <65 dBA, 1 meter distance 


Battery Cabinet	
Max Power	Heat Dissipated
50 kW	0.87 kWh 2970 BTU
Battery Inverter	
Max Power	Heat Dissipated
50 kW	1.5 kWh 5118 BTU



 Three Phase AC Cable, multi stranded class 5 or 6, 25-35 mm<sup>2</sup>, 50 kW

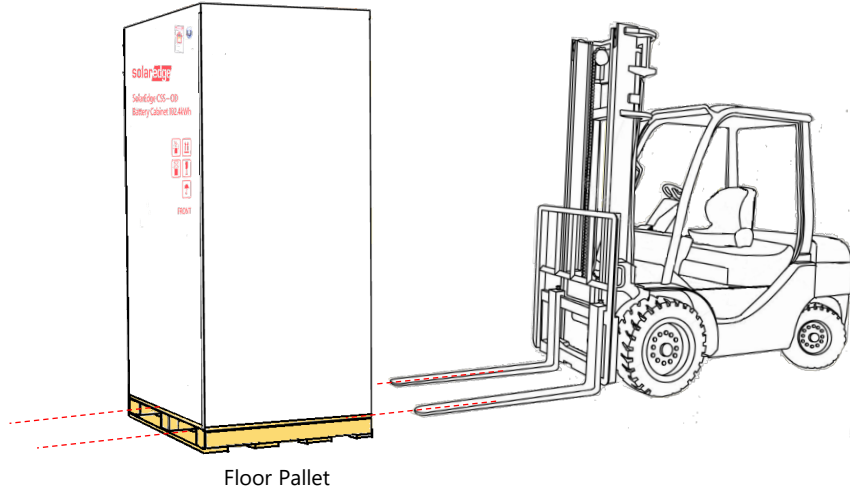
 Single Phase Auxiliary AC Cable

 Modbus TCP Comm. Cable (LAN)

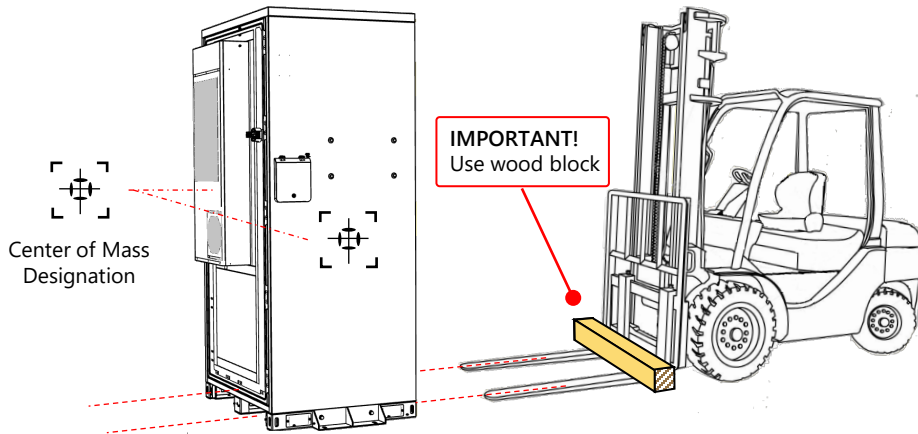
 RS485 Comm. Cable



## Transporting Battery Cabinet with the wooden box

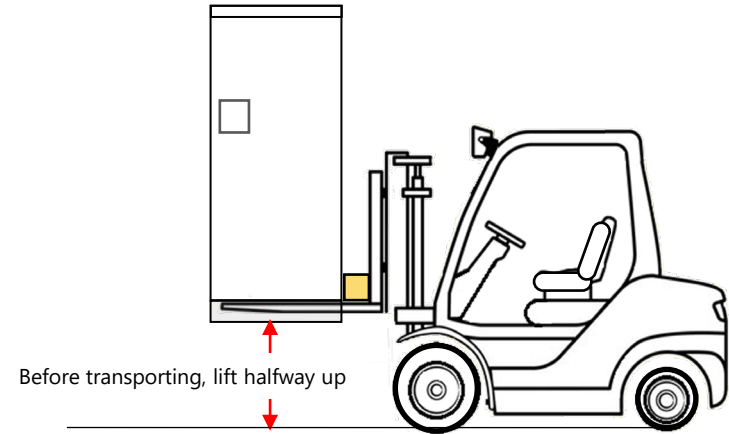
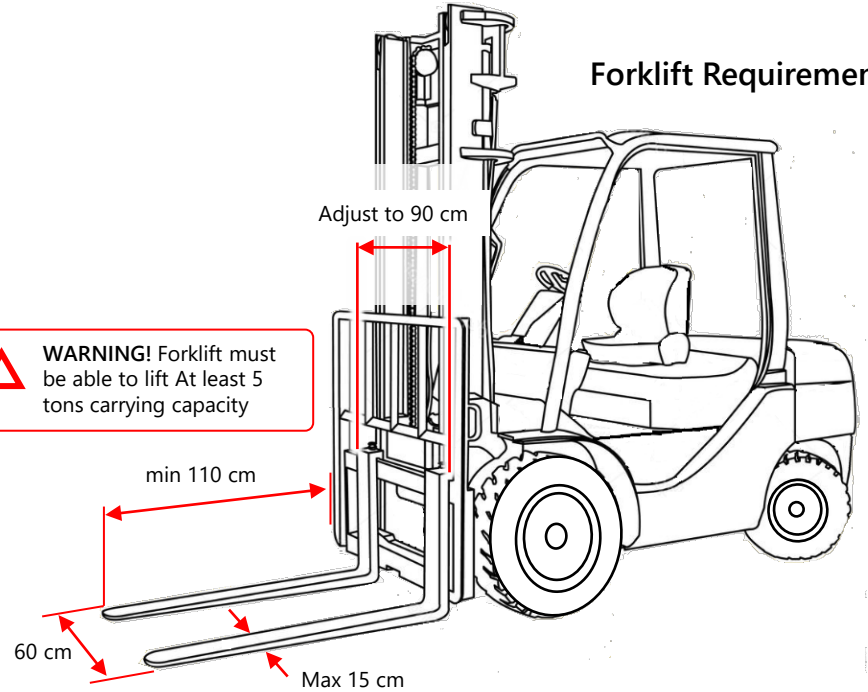


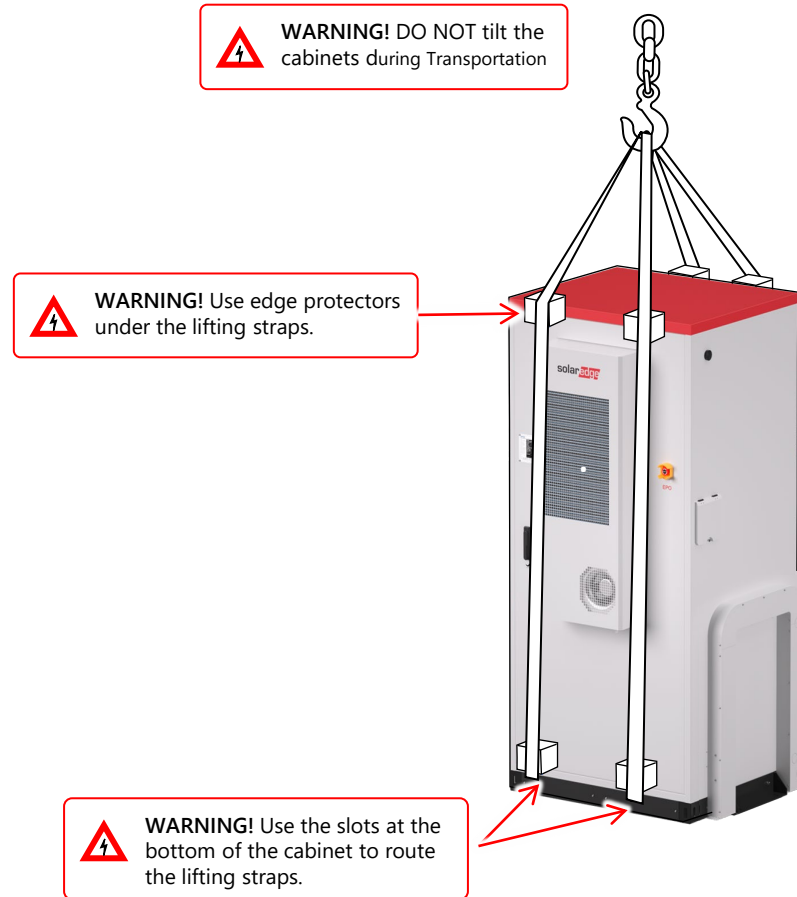
## Transporting Battery Cabinet Standalone



## Forklift Requirements

**WARNING!** Forklift must be able to lift At least 5 tons carrying capacity





# Unpacking Battery Cabinets



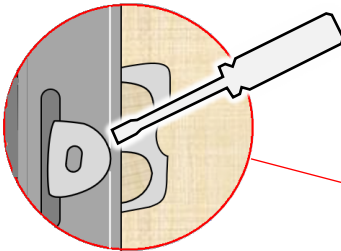
**NOTE!** Disassembly of wooden box must start from the top side

1 Top

5 Rear

**NOTE:** leave protective nylon covering this area

**NOTE:** Use flat head screwdriver to unfold the connecting buckles



Left

3

Front

2

solar edge  
SolarEdge CSS - OD  
Battery Cabinet 102.4kWh



FRONT

6

4 Right

7

8

**NOTE:** For the side brackets, remove only screws connecting to pallet. (x4)

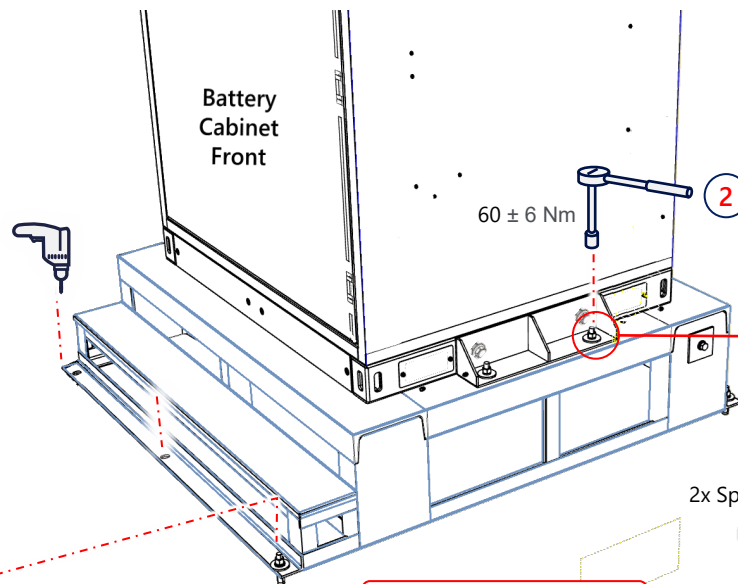
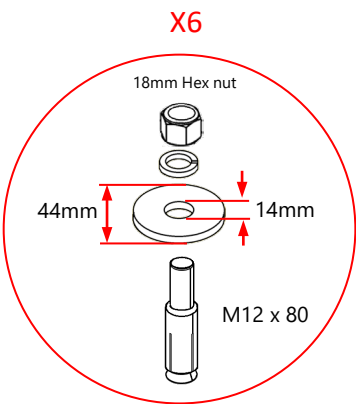
**NOTE:** Scrap the front and rear brackets



Remove the nuts using 19 mm socket (x8)

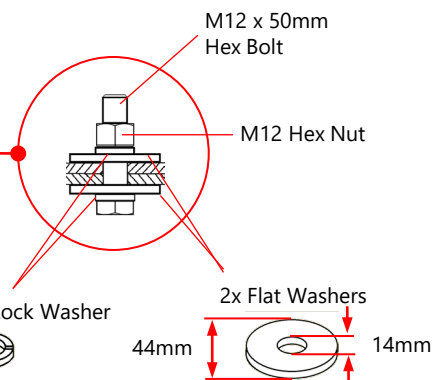
**1**

**NOTE!** These expansion bolts & washers are **not supplied**. Torque is dependent on mounting surface. For concrete: 60Nm



**X4 (X2 on each side)**

**NOTE:** Bolts and washers are **not supplied**



**NOTE!** For steel frame production guidelines, see Appendix A.

**IMPORTANT!**

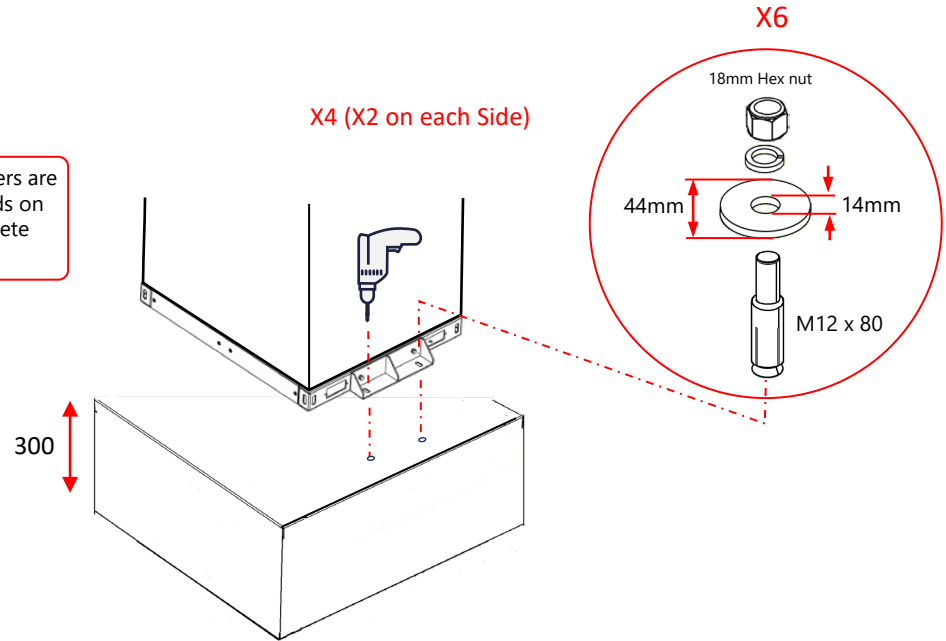
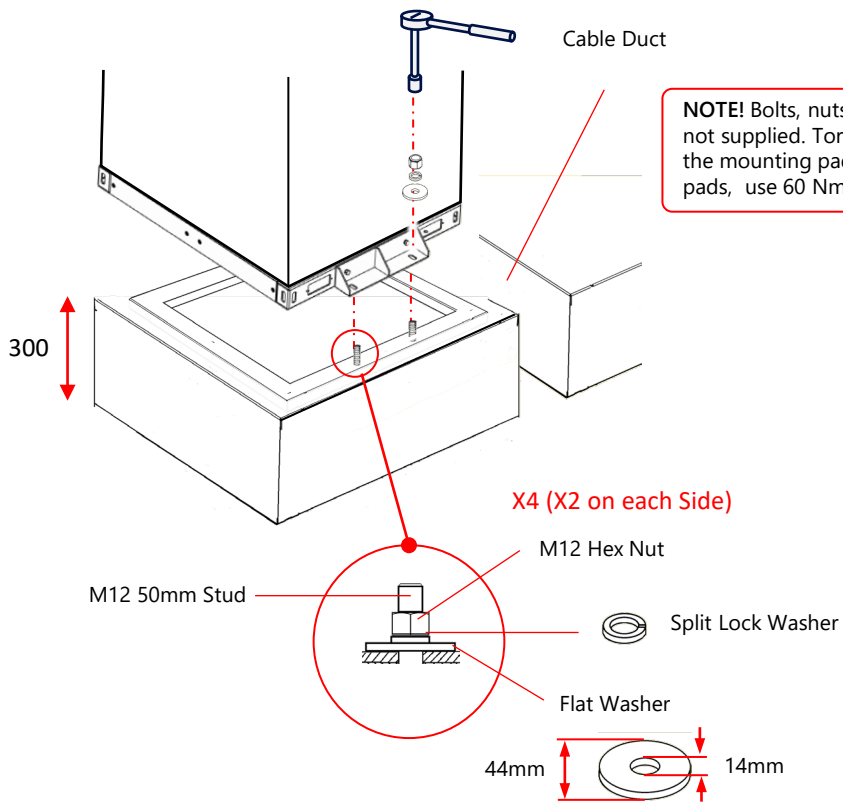
1. Open Steel Frame must be provided by the customer.
2. General Dimensions & Requirements of the steel frame are provided in Appendix A.
3. Customer's civil engineer shall review and approve the customer's provided structure (open steel frame).

# Mounting Battery Cabinet Directly on Concrete Pad

**NOTE!** Concrete pad guidelines are in Appendix A

## Option 1: Concrete Pad with pre-integrated studs

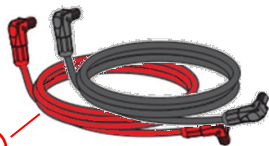
## Option 2: Concrete Pad & Drilling occurs on site



All dimensions are in [mm]

## Battery Cabinet Package Contents (Inside Accessories Box)

Battery Cabinet (Cluster 1)  
to Battery Inverter DC Cables (3m) (A)

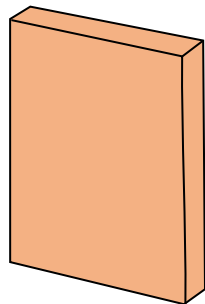


BAT1

Battery Cabinet (Cluster 2)  
to Battery Inverter DC Cables (3.5m) (B)



BAT2



**△ PAY ATTENTION!**  
All Cables are marked  
with a designation label

Battery Cabinet to  
Battery Inverter  
CAN cables (3.5m) (C)



PCS-COM

PE cable (0.7m) (E)



Battery Cabinet to Battery  
Inverter RS485 cable (3.5m) (D)



Battery Cabinet to BUI100  
AC Auxiliary Cable (10m)



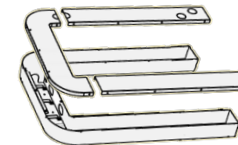
**△ THIS PROVIDED CABLE  
SHOULD NOT BE USED**

Battery Cabinet to BUI100  
Modbus TCP

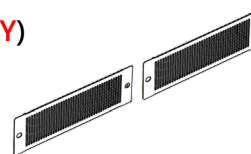
**△ THIS PROVIDED CABLE  
SHOULD NOT BE USED**



Battery Cabinet  
Wiring Duct (G)



Forklift Slots Covers (x4) (Y)  
(Outside Accessories Box)



### Battery Cabinet Package Contents (Inside Battery Cabinet)

Fire Clay (x2) (H)



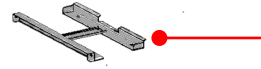
Corrugated Plastic  
Tube  $\varnothing$  34.5 mm (I)



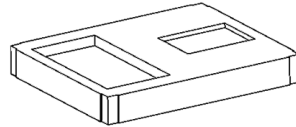
Corrugated Plastic  
Tube  $\varnothing$  21 mm (J)



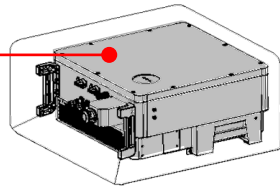
### Battery Inverter Package Contents



Battery Inverter Mounting Bracket (K)



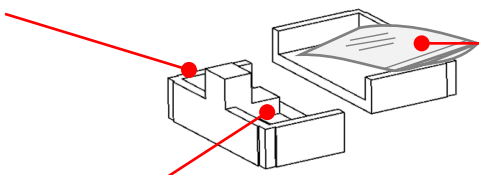
Battery Inverter



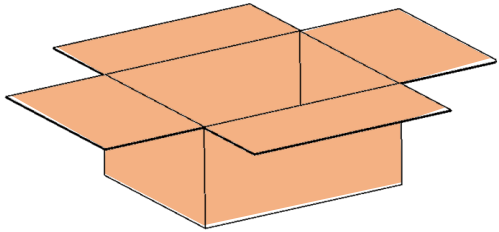
**⚠ THIS PROVIDED CABLE SHOULD NOT BE USED**



**⚠ THIS PROVIDED CABLE SHOULD NOT BE USED**

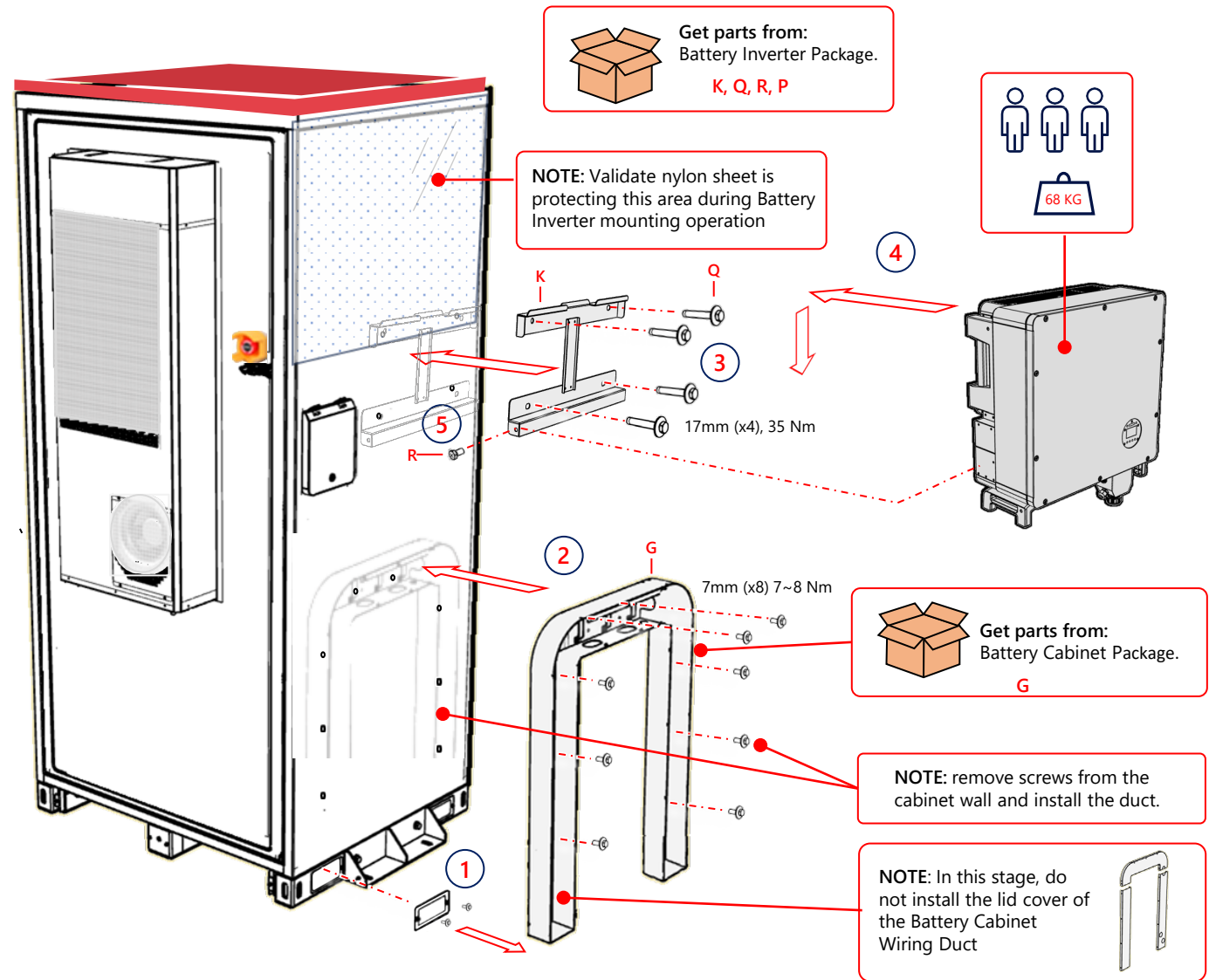


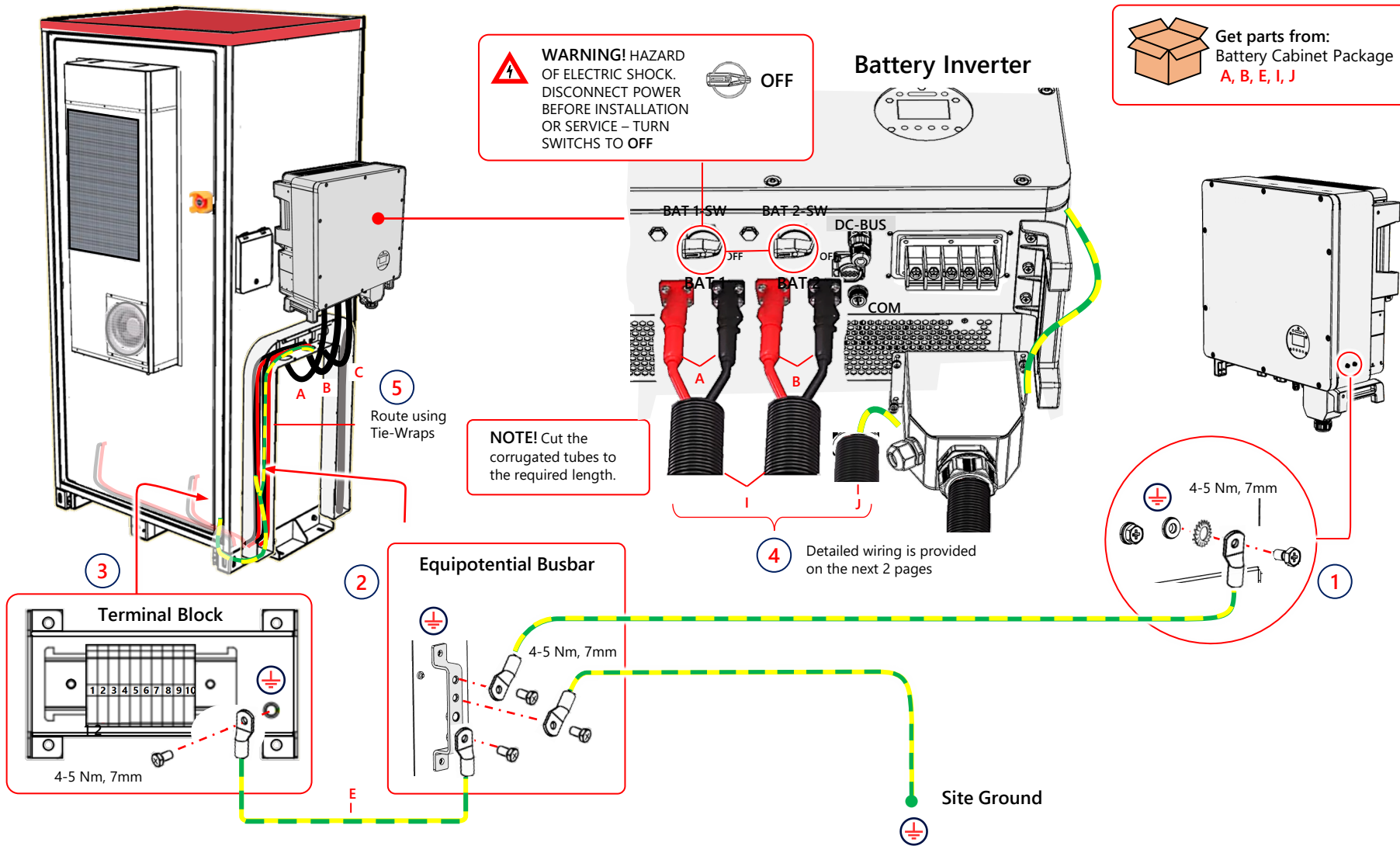
<p>DC-Bus Connector (N)</p>	<p>Communication Cable Connector (O)</p>	<p>Right-angled Torx Star Allen key (P)</p>
<p>Bracket Mounting Screws (x4) (Q) 17mm x 30</p>	<p>Bracket Lock Screws (x2) (R) 10mm x 16</p>	<p>M6 Lugs (x5) (S)</p>
<p>Cables Shrinks (x5) (T)</p>		





# Mounting the Battery Inverter onto Battery Cabinet

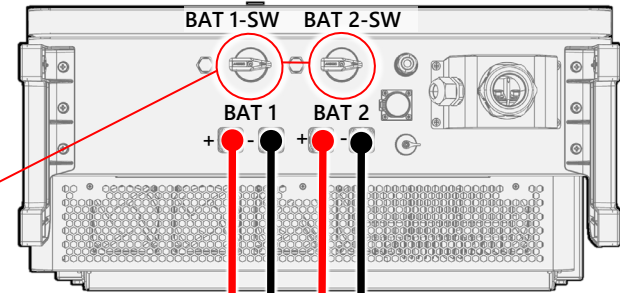
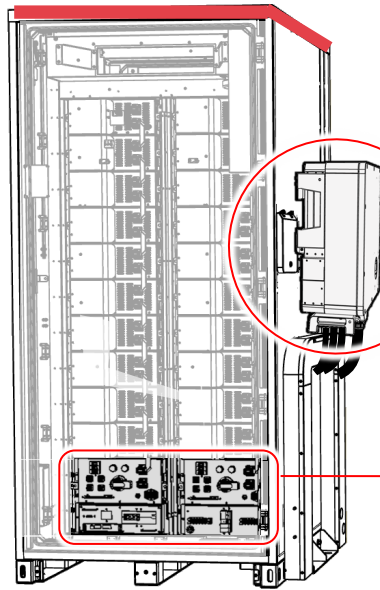




# Wiring DC Power between Battery Cabinet and Battery Inverter

Battery Cabinet

Battery Inverter

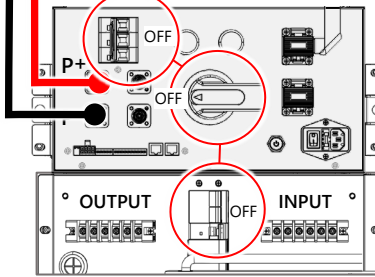
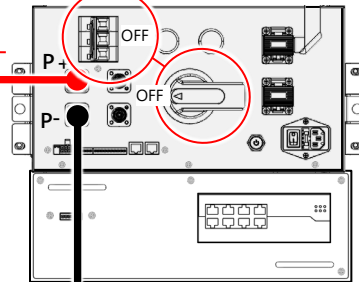


**WARNING!** HAZARD OF ELECTRIC SHOCK. DISCONNECT POWER BEFORE INSTALLATION OR SERVICE – TURN SWITCHES TO OFF

**IMPORTANT!**  
BAT 1 Cable (3m)

Cluster Management Unit 2

Cluster Management Unit 1

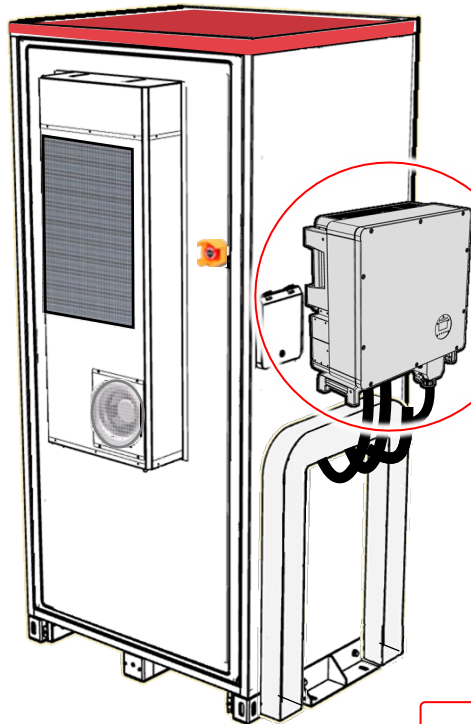


**IMPORTANT!** To ensure proper installation, validate using the correct DC cable lengths by referring to the label on the cables.

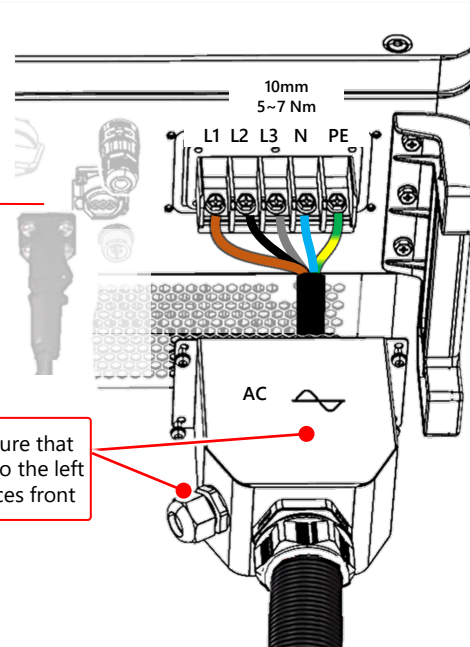
Get parts from:  
Battery Cabinet Package  
A, B

**IMPORTANT!**  
BAT 2 Cable (3.5m)

## Battery Cabinet

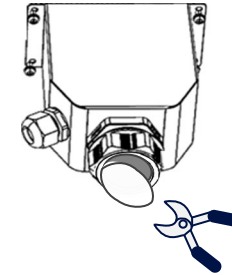


## Battery Inverter



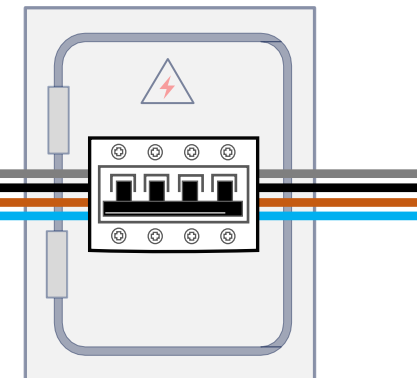
**NOTE:** Make sure that gland points to the left & graphics faces front

- NOTE:** Cable properties: (Not provided)
- Multi stranded class 5 or 6 flexible conductors.
  - Up to 35 mm<sup>2</sup> cross section wires cable.
  - Cable maximum power is 50 kW.
  - Crimp M6 lugs (provided with the Battery Inverter).



## AC Distribution Box

(Infrastructural preparation of the client, NOT supplied by SolarEdge)



Grid



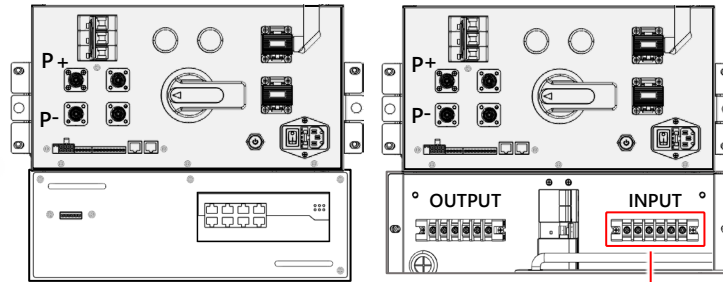
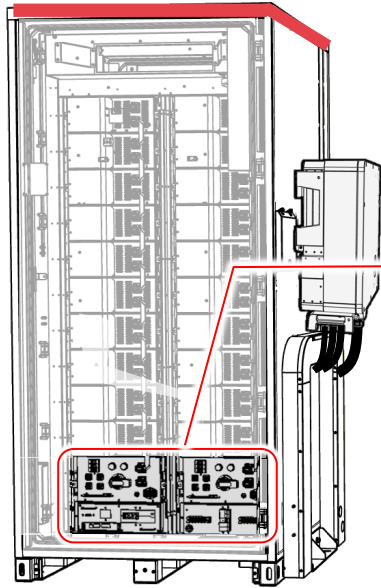
Neutral (N) wire is optional

Site Ground



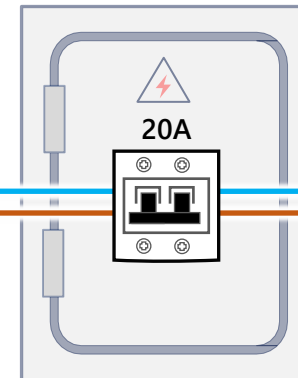
# Wiring Auxiliary AC Power to Battery Inverter

Battery Cabinet

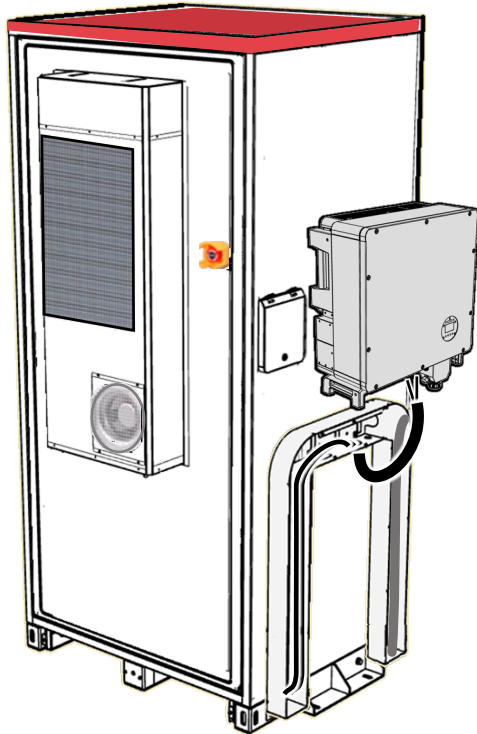


AUX Cable - Used for A/C power supply (Not supplied)

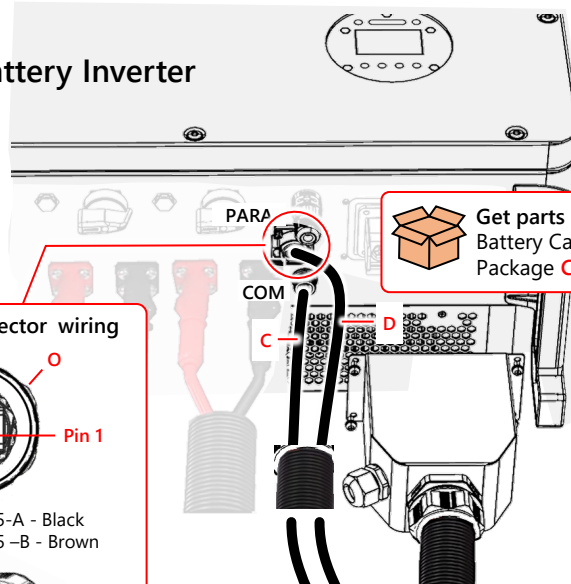
AC Distribution Box  
(Infrastructural preparation of the client, NOT supplied by SolarEdge)



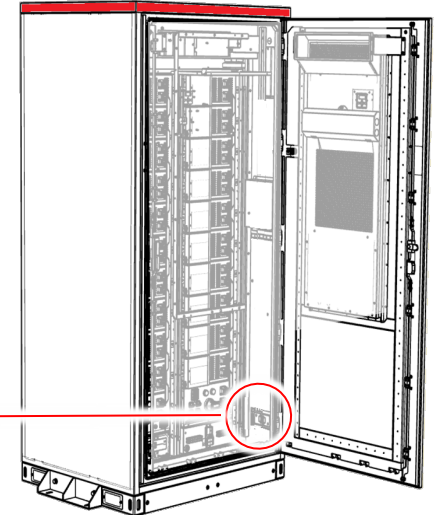
Battery Cabinet



Battery Inverter



Battery Cabinet



**PARA connector wiring**

Pin 1. RS485-A - Black  
Pin 2. RS485-B - Brown

Get parts from:  
Battery Cabinet  
Package C and D

Get part from:  
Battery Inverter  
Package O

CAN  
Communication  
Cable

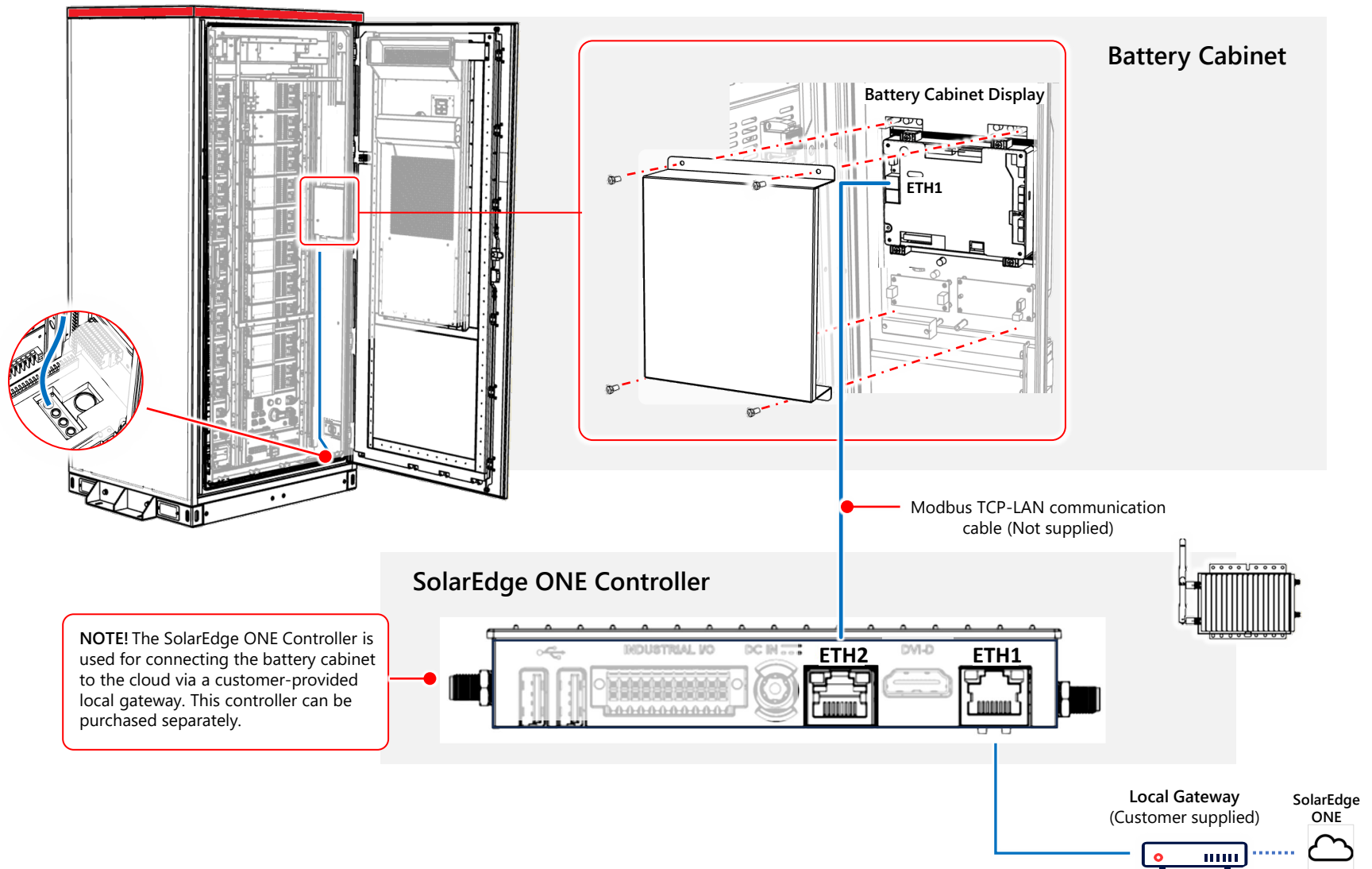
RS485  
Communication  
Cable

**Terminal Block**

1 2 3 4 5 6 7 8 9 10

12 34

# Wiring External Communication



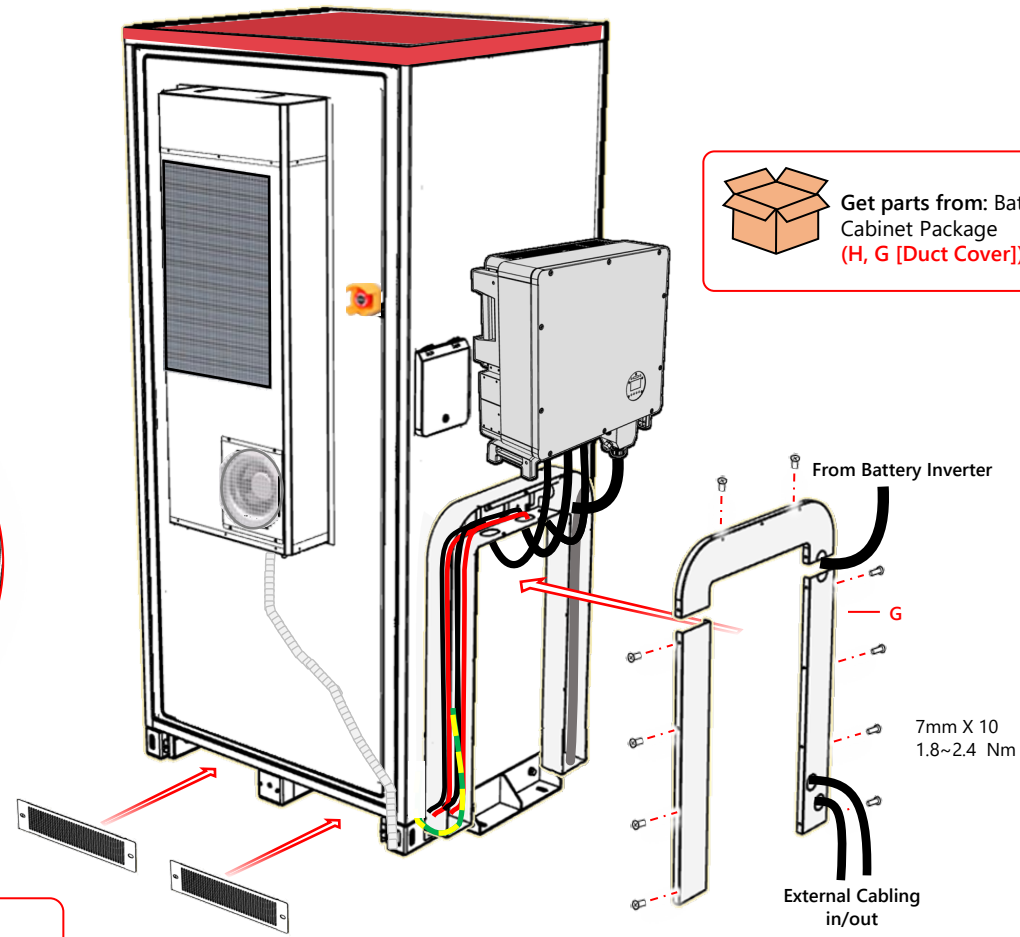
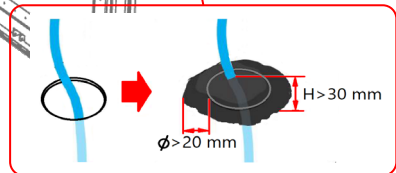
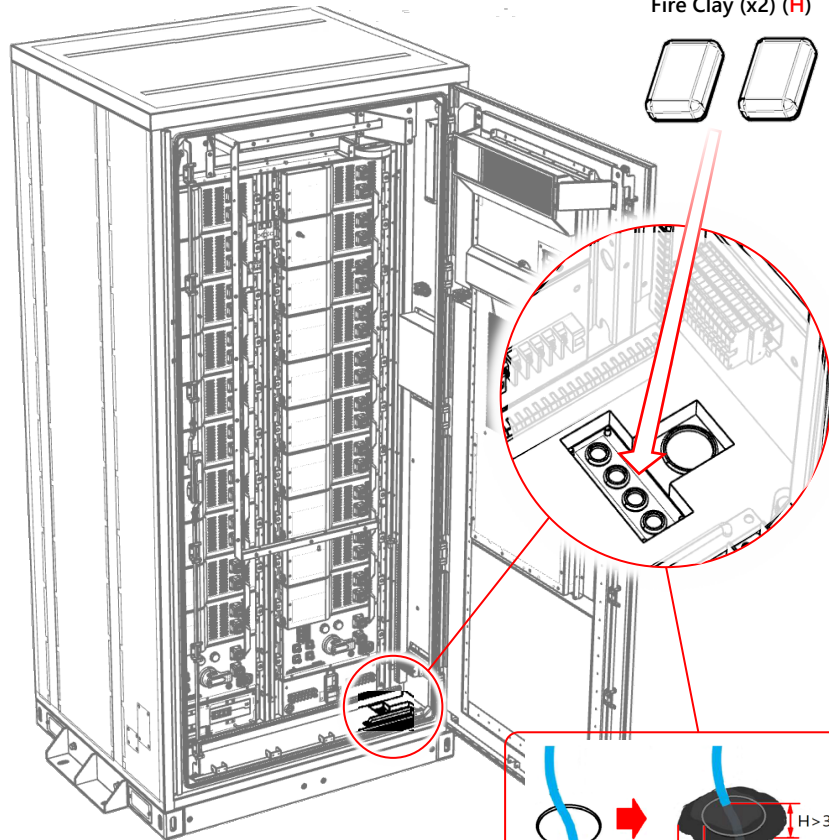
# Sealing and Closing Wiring Duct Lid and Panels

**IMPORTANT!** Use fire clay to block the cable gaps and seal un-routed wiring holes.

Fire Clay (x2) (H)

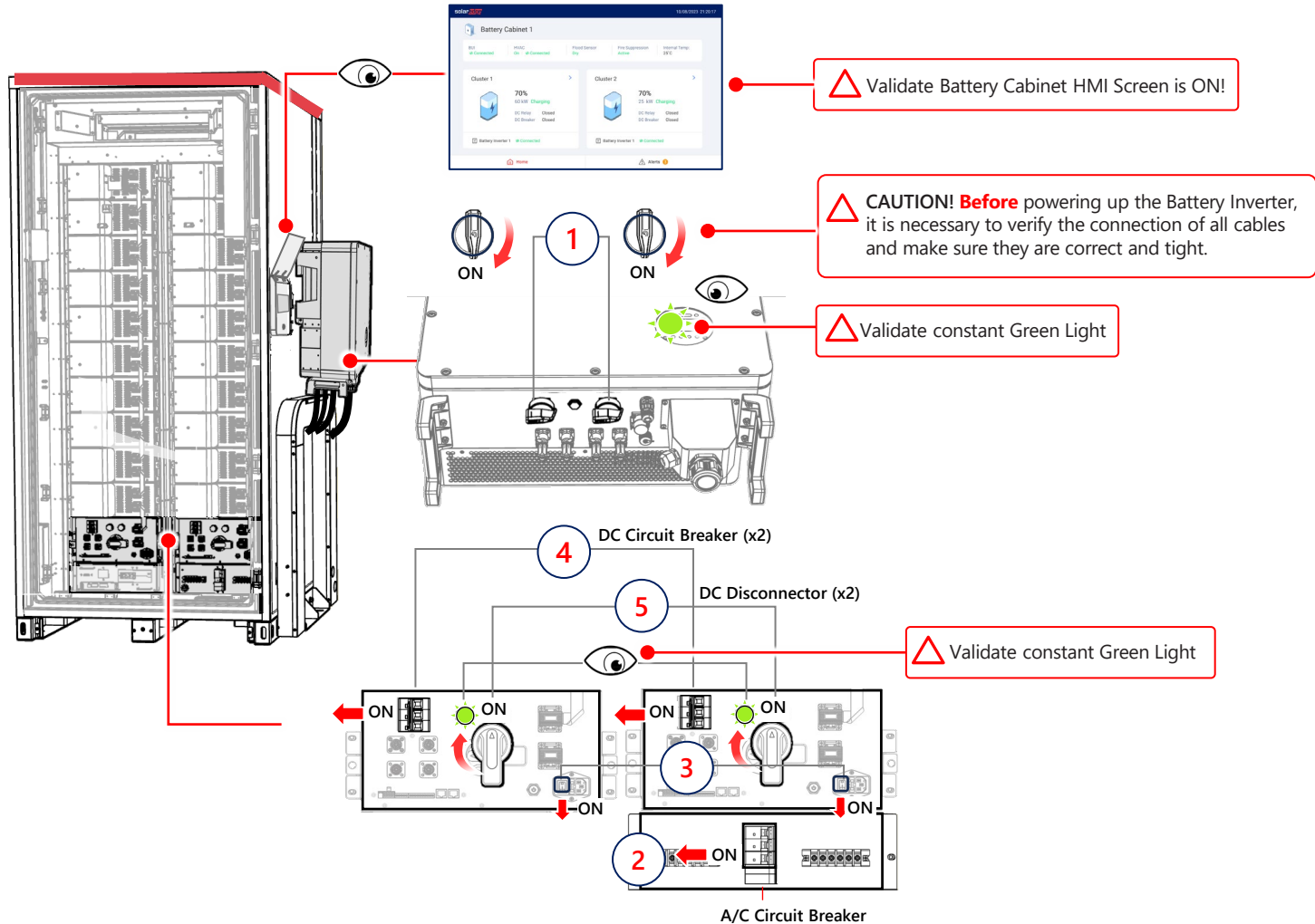


Get parts from: Battery Cabinet Package (H, G [Duct Cover])





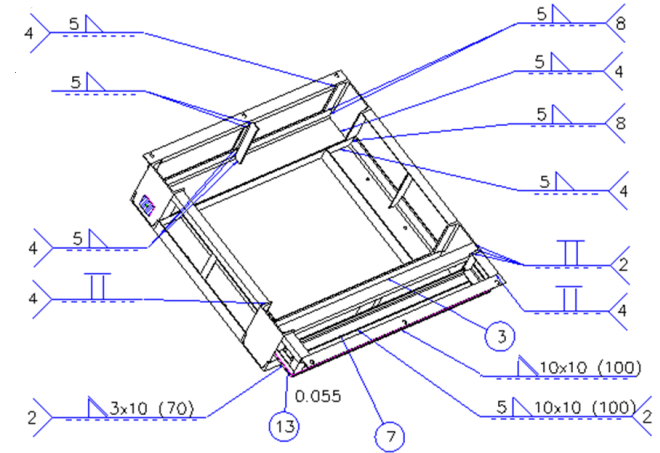
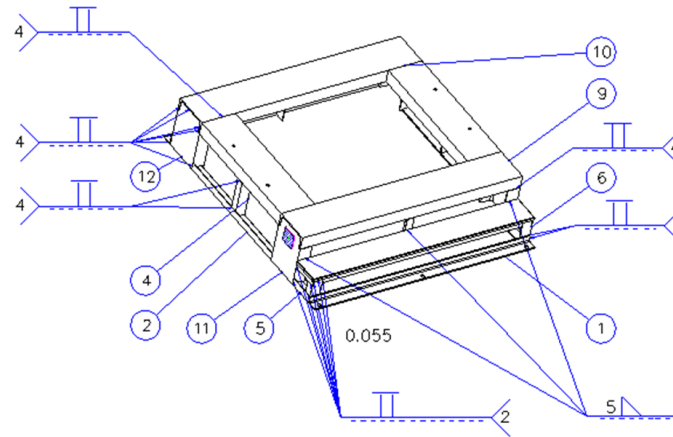
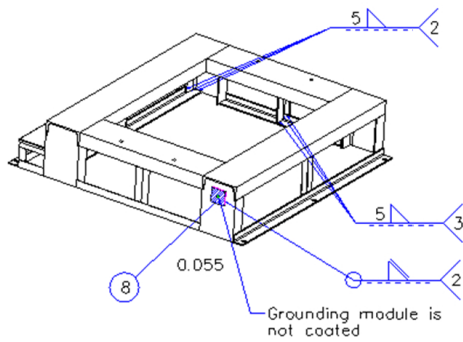
Follow the numbered steps to power up the system





# Appendix A

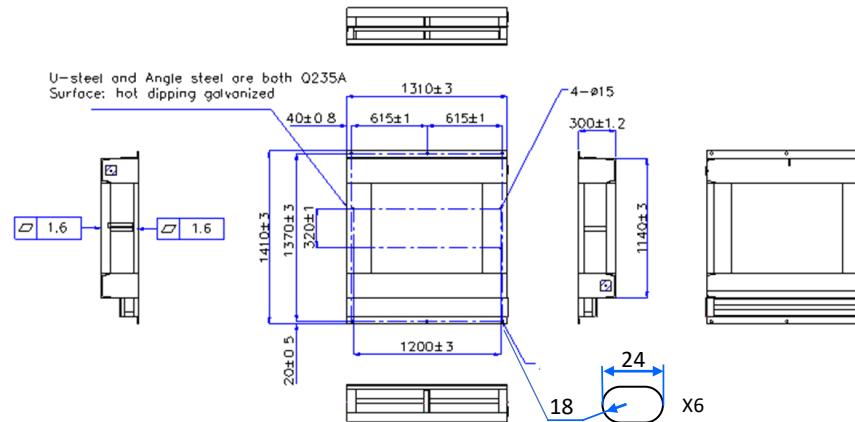
## Construction Details



13	footboard	1
12	U-steel D	2
11	U-steel C	2
10	U-steel B	2
9	U-steel A	2
8	Stainless steel grounding module	2
7	Unequal Angle steel G	2
6	Unequal Angle steel F	2
5	Unequal Angle steel	4
4	Unequal Angle steel D	4
3	Unequal Angle steel C	1
2	Unequal Angle steel	2
1	Unequal Angle steel A	2
No	Part Name	qty

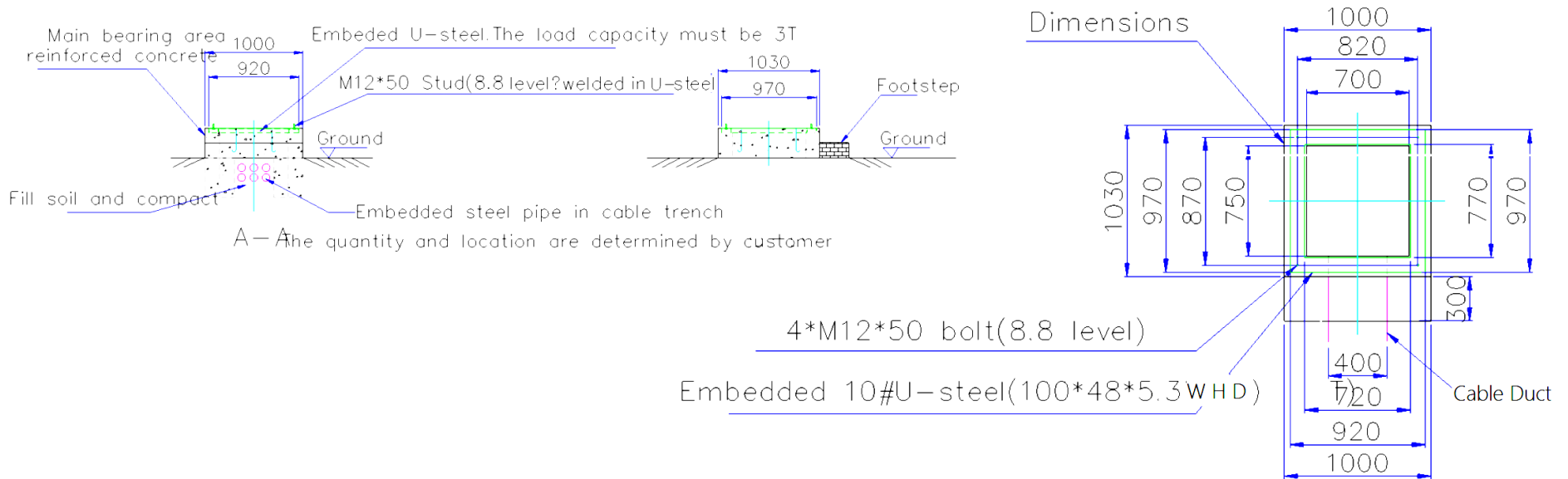
### Technical Requirements:

1. Solid welding, no virtual welding.
2. After welding, except for welding slag, the outer surface of the parts is polished and smooth.
3. Spray protection according to the requirements of the drawing, all stud end faces and threads need spray protection.
4. No dimensioned tolerance according to GB/T 1804-M processing.
5. The unmarked position tolerance shall be executed in GB/T 1184-K class.
6. With\* number is an important size, need to focus on inspection.
7. For other dimensions not specified, refer to the 2D/3D drawing.



## IMPORTANT!

1. Battery Cabinet must be installed on a reinforced concrete platform base.
2. The concrete pad shall be able to support the weight of the cabinets and to ensure their stability.
3. When designing and manufacturing the embedded steel plates for the battery cabinet, it is necessary to consider that there must be a reliable connection (reinforcement hook) between the embedded steel plate and the concrete base.
4. Battery Cabinet concrete pad minimum carrying capacity shall be 0.8MPa, it is necessary to consider the influence of actual local environmental factors.
5. When molding the concrete pad, it shall protrude below the ground as minimum of 400 mm.
6. The height of the concrete pad above the ground shall be at least 300 mm.
7. Concrete base surface smoothness shall be  $\leq 3\text{mm}$ .
8. The upper surface tolerance of the foundation shall be  $\pm 5\text{mm}$ .
9. The concrete pad shall prevent rainwater accumulation on top of it & drainage measures must be taken in the cable trench to prevent water accumulation in the cable trench.



## Concrete Pad with pre-integrated studs



**Support Contact Information**

If you have technical problems concerning SolarEdge products, please contact us:

<https://www.solaredge.com/service/support>

Subject to change without notice.

Copyright © SolarEdge Inc.

All rights reserved. July 2024.